

ELEMENTS

FIXED ELEMENTS

--- leather seams

LUV

indera



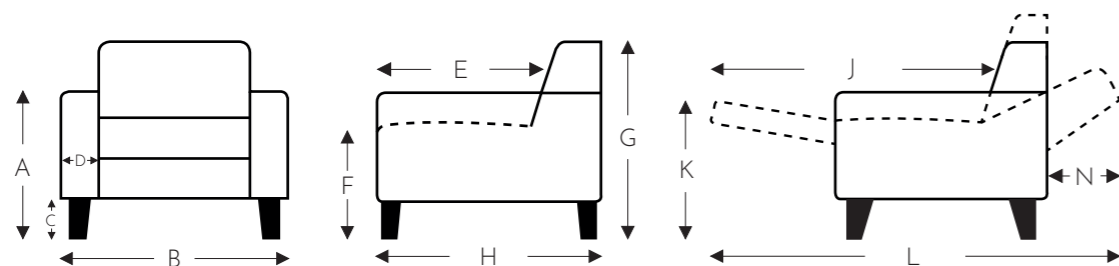
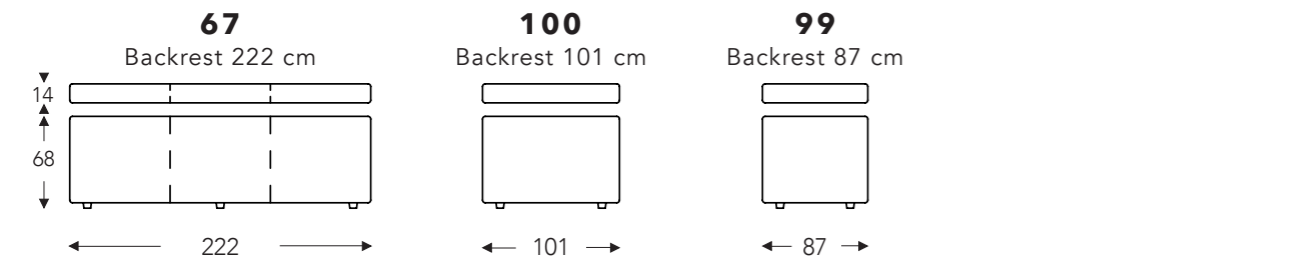
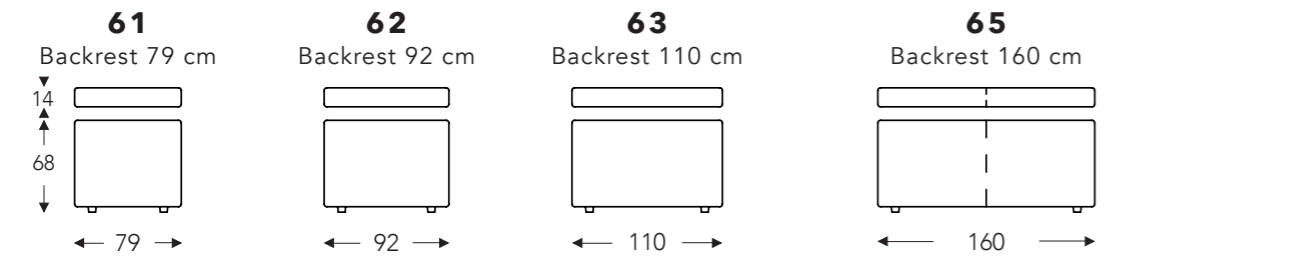
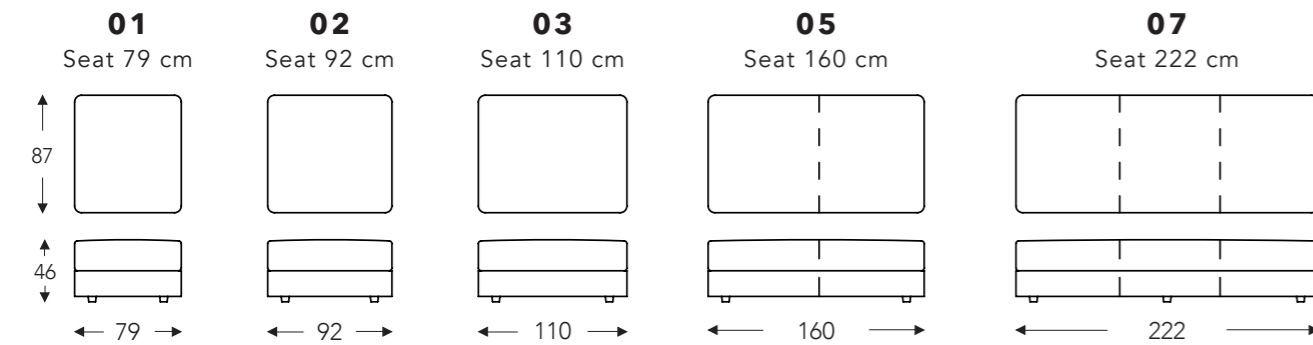
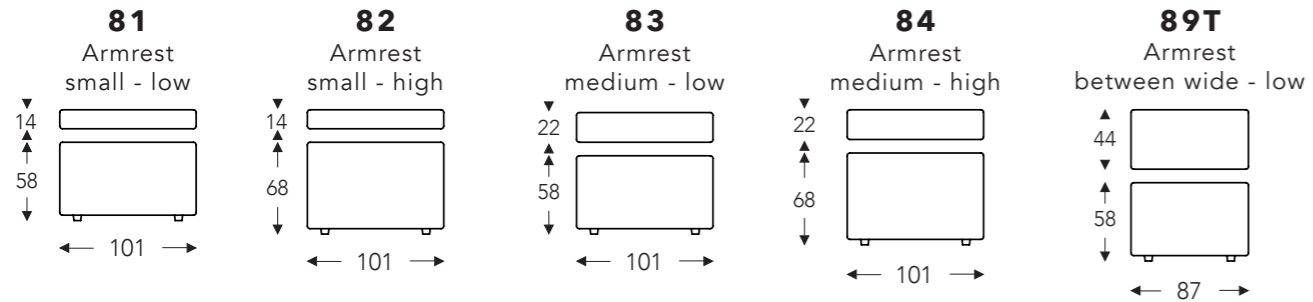
LUV

indera

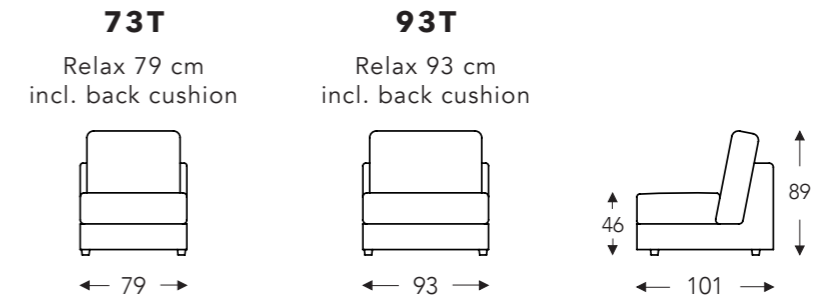
RELAX ELEMENTS

T = 2 motors

--- leather seams



- A. Arm height: 58/68 cm
 - B. Width : variable per elements
 - C. Leg height: 4 cm
 - D. Arm width: 14/22/44 cm
 - E. Seat dept: 64 cm
 - F. Seat height: 46 cm
 - G. Back height: 89 cm
 - H. Dept: variable per elements
 - J. Total seat dept: 113 cm
 - K. Footrest height: 51 cm
 - L. Total depth in reclined position: 170 cm
 - M. Maximum back height in reclined position: 87 cm
 - N. Distance from back to wall: 15 cm
- (Tolerance on dimensions ±3%)



ARMRESTS FOR RELAX ELEMENTS

